

**CAN**

# **Getting Started with Your CAN Hardware and the NI-CAN™ Software for Windows 95**

November 1996 Edition  
Part Number 321371A-01

© Copyright 1996 National Instruments Corporation.  
All Rights Reserved.

---



### **Internet Support**

support@natinst.com

E-mail: info@natinst.com

FTP Site: ftp.natinst.com

Web Address: <http://www.natinst.com>



### **Bulletin Board Support**

BBS United States: (512) 794-5422

BBS United Kingdom: 01635 551422

BBS France: 01 48 65 15 59



### **Fax-on-Demand Support**

(512) 418-1111



### **Telephone Support (U.S.)**

Tel: (512) 795-8248

Fax: (512) 794-5678



### **International Offices**

Australia 03 9879 5166, Austria 0662 45 79 90 0, Belgium 02 757 00 20,  
Canada (Ontario) 905 785 0085, Canada (Québec) 514 694 8521, Denmark 45 76 26 00,  
Finland 09 527 2321, France 01 48 14 24 24, Germany 089 741 31 30,  
Hong Kong 2645 3186, Israel 03 5734815, Italy 02 413091, Japan 03 5472 2970,  
Korea 02 596 7456, Mexico 5 520 2635, Netherlands 0348 433466,  
Norway 32 84 84 00, Singapore 2265886, Spain 91 640 0085, Sweden 08 730 49 70,  
Switzerland 056 200 51 51, Taiwan 02 377 1200, U.K. 01635 523545

### **National Instruments Corporate Headquarters**

6504 Bridge Point Parkway Austin, TX 78730-5039 Tel: (512) 794-0100

# Important Information

---

## Warranty

The AT-CAN , AT-CAN/2, PCI-CAN, and PCI-CAN/2 are warranted against defects in materials and workmanship for a period of one year from the date of shipment, as evidenced by receipts or other documentation. National Instruments will, at its option, repair or replace equipment that proves to be defective during the warranty period. This warranty includes parts and labor.

The media on which you receive National Instruments software are warranted not to fail to execute programming instructions, due to defects in materials and workmanship, for a period of 90 days from date of shipment, as evidenced by receipts or other documentation. National Instruments will, at its option, repair or replace software media that do not execute programming instructions if National Instruments receives notice of such defects during the warranty period. National Instruments does not warrant that the operation of the software shall be uninterrupted or error free.

A Return Material Authorization (RMA) number must be obtained from the factory and clearly marked on the outside of the package before any equipment will be accepted for warranty work. National Instruments will pay the shipping costs of returning to the owner parts which are covered by warranty.

National Instruments believes that the information in this manual is accurate. The document has been carefully reviewed for technical accuracy. In the event that technical or typographical errors exist, National Instruments reserves the right to make changes to subsequent editions of this document without prior notice to holders of this edition. The reader should consult National Instruments if errors are suspected. In no event shall National Instruments be liable for any damages arising out of or related to this document or the information contained in it.

EXCEPT AS SPECIFIED HEREIN, NATIONAL INSTRUMENTS MAKES NO WARRANTIES, EXPRESS OR IMPLIED, AND SPECIFICALLY DISCLAIMS ANY WARRANTY OF MERCHANTABILITY OR FITNESS FOR A PARTICULAR PURPOSE. CUSTOMER'S RIGHT TO RECOVER DAMAGES CAUSED BY FAULT OR NEGLIGENCE ON THE PART OF NATIONAL INSTRUMENTS SHALL BE LIMITED TO THE AMOUNT THERETOFORE PAID BY THE CUSTOMER. NATIONAL INSTRUMENTS WILL NOT BE LIABLE FOR DAMAGES RESULTING FROM LOSS OF DATA, PROFITS, USE OF PRODUCTS, OR INCIDENTAL OR CONSEQUENTIAL DAMAGES, EVEN IF ADVISED OF THE POSSIBILITY THEREOF. This limitation of the liability of National Instruments will apply regardless of the form of action, whether in contract or tort, including negligence. Any action against National Instruments must be brought within one year after the cause of action accrues. National Instruments shall not be liable for any delay in performance due to causes beyond its reasonable control. The warranty provided herein does not cover damages, defects, malfunctions, or service failures caused by owner's failure to follow the National Instruments installation, operation, or maintenance instructions; owner's modification of the product; owner's abuse, misuse, or negligent acts; and power failure or surges, fire, flood, accident, actions of third parties, or other events outside reasonable control.

## Copyright

Under the copyright laws, this publication may not be reproduced or transmitted in any form, electronic or mechanical, including photocopying, recording, storing in an information retrieval system, or translating, in whole or in part, without the prior written consent of National Instruments Corporation.

## Trademarks

LabVIEW® and NI-CAN™ are trademarks of National Instruments Corporation.

Product and company names listed are trademarks or trade names of their respective companies.

## WARNING REGARDING MEDICAL AND CLINICAL USE OF NATIONAL INSTRUMENTS PRODUCTS

National Instruments products are not designed with components and testing intended to ensure a level of reliability suitable for use in treatment and diagnosis of humans. Applications of National Instruments products involving medical or clinical treatment can create a potential for accidental injury caused by product failure, or by errors on the part of the user or application designer. Any use or application of National Instruments products for or involving medical or clinical treatment must be performed by properly trained and qualified medical personnel, and all traditional medical safeguards, equipment, and procedures that are appropriate in the particular situation to prevent serious injury or death should always continue to be used when National Instruments products are being used. National Instruments products are NOT intended to be a substitute for any form of established process, procedure, or equipment used to monitor or safeguard human health and safety in medical or clinical treatment.

# FCC/DOC Radio Frequency Interference Compliance

---

This equipment generates and uses radio frequency energy and, if not installed and used in strict accordance with the instructions in this manual, may cause interference to radio and television reception. Classification requirements are the same for the Federal Communications Commission (FCC) and the Canadian Department of Communications (DOC). The FCC/DOC classification is indicated on a label on the devices. Look at the product to determine if your equipment has been tested and found to comply with Class A or Class B, then read the appropriate information below regarding the compliance of your product:

## Class A

### Federal Communications Commission

This equipment has been tested and found to comply with the limits for a Class A digital device, pursuant to part 15 of the FCC Rules. These limits are designed to provide reasonable protection against harmful interference when the equipment is operated in a commercial environment. This equipment generates, uses, and can radiate radio frequency energy and, if not installed and used in accordance with the instruction manual, may cause harmful interference to radio communications. Operation of this equipment in a residential area is likely to cause harmful interference in which case the user will be required to correct the interference at his own expense.

### Canadian Department of Communications

This Class A digital apparatus meets all requirements of the Canadian Interference-Causing Equipment Regulations.

Cet appareil numérique de la classe A respecte toutes les exigences du Règlement sur le matériel brouilleur du Canada.

## Class B

### Federal Communications Commission

This equipment has been tested and found to comply with the limits for a Class B digital device, pursuant to part 15 of the FCC Rules. These limits are designed to provide reasonable protection against harmful interference in a residential installation. This equipment generates, uses and can radiate radio frequency energy and, if not installed and used in accordance with the instructions, may cause harmful interference to radio communications. However, there is no guarantee that interference will not occur in a particular installation. If this equipment does cause harmful interference to radio or television reception, which can be determined by turning the equipment off and on, the user is encouraged to try to correct the interference by one or more of the following measures:

- Reorient or relocate the receiving antenna.
- Increase the separation between the equipment and receiver.
- Connect the equipment into an outlet on a circuit different from that to which the receiver is connected.
- Consult the dealer or an experienced radio/TV technician for help.

### Canadian Department of Communications

This Class B digital apparatus meets all requirements of the Canadian Interference-Causing Equipment Regulations.

Cet appareil numérique de la classe B respecte toutes les exigences du Règlement sur le matériel brouilleur du Canada.

## **FCC Notices to User**

*Changes or modifications not expressly approved by National Instruments could void the users authority to operate the equipment under the FCC Rules.*

*This device complies with the FCC rules only if used with shielded interface cables of suitable quality and construction. National Instruments used such cables to test this device and provides them for sale to the user. The use of inferior or nonshielded interface cables could void the user's authority to operate the equipment under the FCC rules.*

If necessary, consult National Instruments or an experienced radio/television technician for additional suggestions. The following booklet prepared by the FCC may also be helpful: *Interference to Home Electronic Entertainment Equipment Handbook*. This booklet is available from the U.S. Government Printing Office, Washington, DC 20402.



*Table  
of  
Contents*

---

## About This Manual

How to Use the Manual Set .....	xi
Organization of This Manual .....	xii
Conventions Used in This Manual .....	xiii
Related Documentation .....	xiv
Customer Communication .....	xiv

## Chapter 1

### Introduction

How to Use This Manual .....	1-1
What You Need to Get Started .....	1-2
CAN Hardware Overview .....	1-2
NI-CAN Software Overview .....	1-3
Optional Programming Tools .....	1-4

## Chapter 2

### Installation and Configuration

Install the NI-CAN Software .....	2-1
Install the CAN Hardware .....	2-3
Install Your CAN Interface .....	2-3
Connect the Cables .....	2-5
Configure the NI-CAN Software .....	2-5

## **Chapter 3**

### **Verify the Installation**

## **Chapter 4**

### **Begin to Use the NI-CAN Software**

Using the NI-CAN Software .....	4-1
General Programming Considerations .....	4-2

## **Appendix A**

### **Uninstalling the Hardware and Software**

Uninstalling the CAN Hardware from Windows 95 .....	A-1
Uninstalling the NI-CAN Software from Windows 95 .....	A-2

## **Appendix B**

### **Forcing Windows 95 to Detect the CAN Hardware**

## **Appendix C**

### **Cabling Requirements**

Connector Pinouts .....	C-1
Power Supply Information for the CAN Ports .....	C-2
Cable Specifications .....	C-3
Cable Lengths.....	C-3
Number of Devices .....	C-4
Cable Termination.....	C-4
Cabling Example .....	C-5

## **Appendix D**

### **Troubleshooting and Common Questions**

Troubleshooting Device Manager Problems .....	D-1
No National Instruments CAN Interfaces .....	D-1
Missing CAN Interface .....	D-2
Problem Shown in Device Manager .....	D-2
Troubleshooting Diagnostic Utility Failures .....	D-4
Memory Resource Conflict.....	D-4

Interrupt Resource Conflict .....	D-4
NI-CAN Software Problem Encountered .....	D-4
Missing CAN Interface.....	D-4
CAN Hardware Problem Encountered .....	D-5
Common Questions.....	D-5

## Appendix E Specifications

## Appendix F Customer Communication

## Glossary

## Figures

Figure 2-1. Add/Remove Programs Properties Dialog Box.....	2-1
Figure 2-2. NI-CAN Software Setup Screen.....	2-2
Figure 2-3. Installing the AT-CAN.....	2-4
Figure 2-4. Device Manager Shows CAN Interface That Is Working Properly .....	2-6
Figure 2-5. Device Manager Shows CAN Interface That Is Not Working Properly ..	2-6
Figure 2-6. Settings Tab for the AT-CAN .....	2-7
Figure 3-1. NI-CAN Diagnostic Utility after Testing .....	3-1
Figure A-1. Selecting an Interface to Remove from Windows 95.....	A-2
Figure A-2. Add/Remove Programs Properties Dialog Box.....	A-3
Figure A-3. NI-CAN Uninstallation Results.....	A-4
Figure C-1. Pinout for 9-Pin D-Sub Connector .....	C-1
Figure C-2. Pinout for 5-Pin Combicon-Style Pluggable Screw Terminal.....	C-2
Figure C-3. Termination Resistor Placement.....	C-4
Figure C-4. Cabling Example .....	C-5
Figure D-1. Device Manager Shows CAN Interface That Is Not Working Properly ..	D-2



## Tables

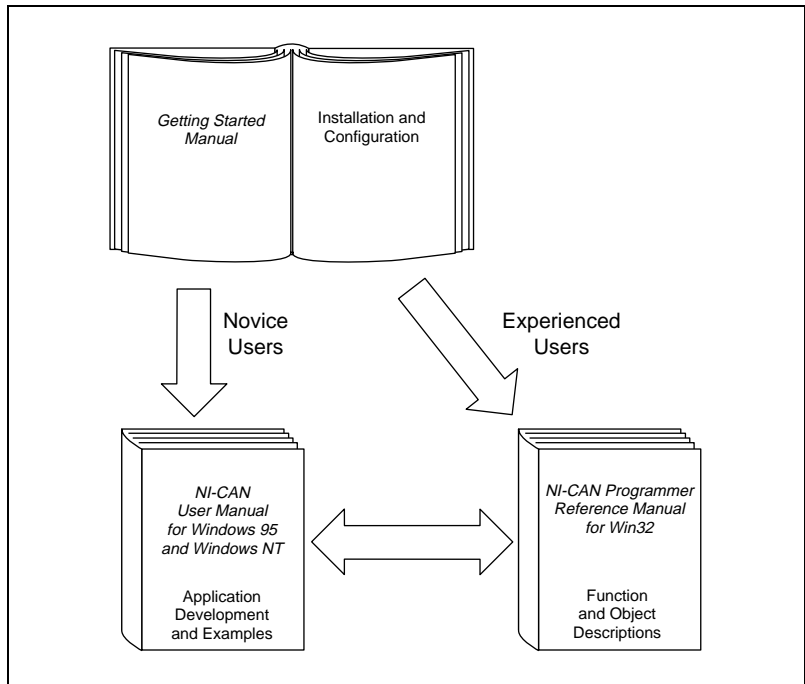
Table C-1.	Power Requirements for the CAN Physical Layer .....	C-2
Table C-2.	ISO 11898 Specifications for Characteristics of a CAN_H and CAN_L Pair of Wires .....	C-3
Table C-3.	DeviceNet Cable Length Specifications .....	C-3
Table E-1.	AT-CAN and AT-CAN/2 Hardware Characteristics .....	E-1
Table E-2.	PCI-CAN and PCI-CAN/2 Hardware Characteristics.....	E-2
Table E-3.	CAN Port Characteristics.....	E-2

*About  
This  
Manual*

This manual contains instructions to help you install and configure the National Instruments CAN hardware and the NI-CAN software for Windows 95. The National Instruments CAN hardware includes the AT-CAN, AT-CAN/2, PCI-CAN, and PCI-CAN/2.

This manual assumes that you are already familiar with Windows 95.

## How to Use the Manual Set



Use this getting started manual to install and configure your CAN hardware and the NI-CAN software for Windows 95.

Use the *NI-CAN User Manual for Windows 95 and Windows NT* to learn the basics of CAN and how to develop an application program. The user manual also contains debugging information and detailed examples.

Use the *NI-CAN Programmer Reference Manual for Win32* for specific information about each NI-CAN function and object, such as format, parameters, and possible errors.

## Organization of This Manual

---

This manual is organized as follows:

- Chapter 1, *Introduction*, explains how to use this manual, lists what you need to get started, and briefly describes the CAN hardware and the NI-CAN software for Windows 95.
- Chapter 2, *Installation and Configuration*, describes how to install and configure the CAN hardware and the NI-CAN software for Windows 95.
- Chapter 3, *Verify the Installation*, describes how to verify the hardware and software installation.
- Chapter 4, *Begin to Use the NI-CAN Software*, helps you get started with the NI-CAN software for Windows 95.
- Appendix A, *Uninstalling the Hardware and Software*, describes how to uninstall the CAN hardware and the NI-CAN software from Windows 95.
- Appendix B, *Forcing Windows 95 to Detect the CAN Hardware*, contains instructions to help you install your CAN interface if Windows 95 has not detected it properly.
- Appendix C, *Cabling Requirements*, describes the cabling requirements for the CAN hardware.
- Appendix D, *Troubleshooting and Common Questions*, describes how to troubleshoot problems and answers some common questions.
- Appendix E, *Specifications*, describes the physical characteristics of the CAN hardware, along with the recommended operating conditions.

- Appendix F, *Customer Communication*, contains forms you can use to request help from National Instruments or to comment on our products and manuals.
- The *Glossary* contains an alphabetical list and a description of terms used in this manual, including abbreviations, acronyms, metric prefixes, mnemonics, and symbols.

## Conventions Used in This Manual

---

The following conventions are used in this manual.

»	The » symbol leads you through nested menu items and dialog box options to a final action. The sequence <b>File»Page Setup»Options»Substitute Fonts</b> directs you to pull down the <b>File</b> menu, select the <b>Page Setup</b> item, select <b>Options</b> , and finally select the <b>Substitute Fonts</b> options from the last dialog box.
<b>bold</b>	Bold text denotes the names of menus, menu items, parameters, dialog boxes, dialog box buttons or options, icons, windows, Windows 95 tabs, or LEDs.
CAN hardware	<i>CAN hardware</i> refers to the AT-CAN, AT-CAN/2, PCI-CAN, and PCI-CAN/2 in cases where the material applies to all the interfaces.
<i>italic</i>	Italic text denotes emphasis, a cross reference, or an introduction to a key concept.
monospace	Text in this font denotes text or characters that you should literally enter from the keyboard, sections of code, programming examples, and syntax examples. This font is also used for the proper names of disk drives, paths, directories, programs, subprograms, subroutines, device names, functions, operations, variables, filenames, and extensions, and for statements and comments taken from program code.
paths	Paths in this manual are denoted using backslashes (\) to separate drive names, directories, folders, and files.  The Glossary lists abbreviations, acronyms, metric prefixes, mnemonics, symbols, and terms.

## Related Documentation

---

The following documents contain information that you may find helpful as you read this manual.

- ANSI/ISO Standard 11898-1993, *Road Vehicles—Interchange of Digital Information—Controller Area Network (CAN) for High-Speed Communication*
- *CAN Specification Version 2.0*, 1991, Robert Bosch GmbH., Postfach 500, D-7000 Stuttgart 1
- CiA Draft Standard 102, Version 2.0, *CAN Physical Layer for Industrial Applications*
- *DeviceNet Specification, Volume 1, Version 1.3*, Open DeviceNet Vendor Association
- *Microsoft Windows 95 User's Guide*, Microsoft Corporation

## Customer Communication

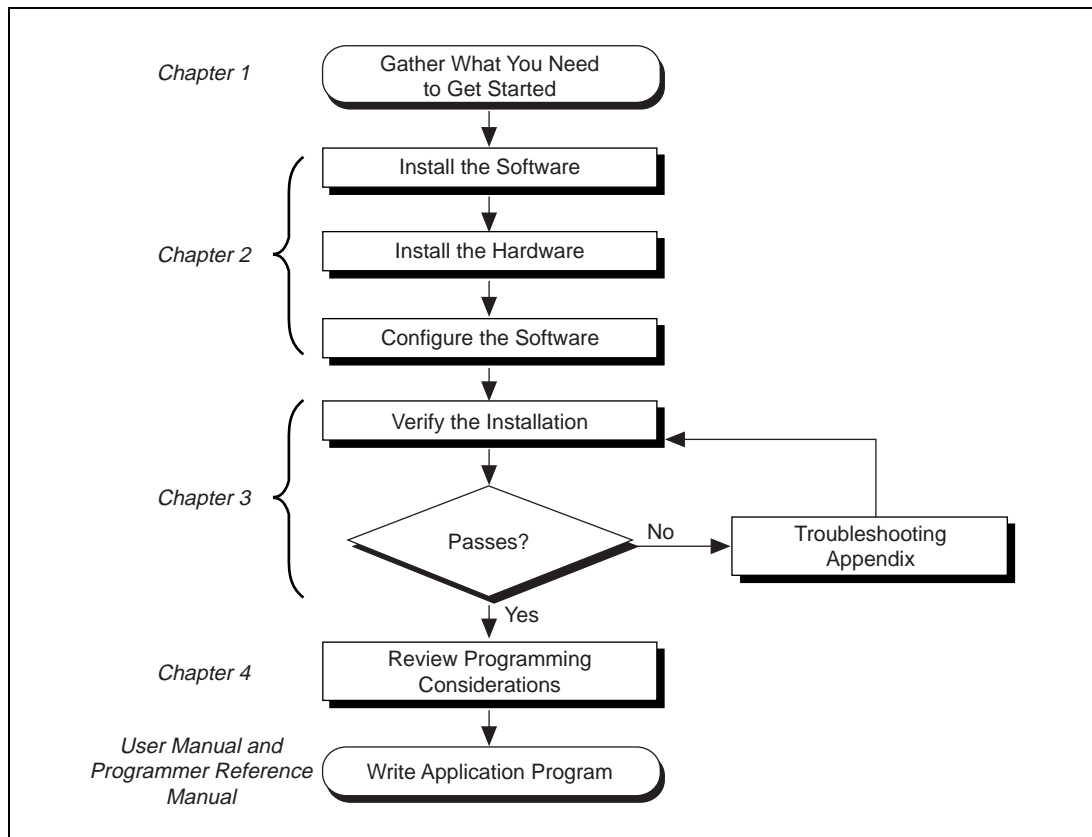
---

National Instruments wants to receive your comments on our products and manuals. We are interested in the applications you develop with our products, and we want to help if you have problems with them. To make it easy for you to contact us, this manual contains comment and configuration forms for you to complete. These forms are in Appendix F, *Customer Communication*, at the end of this manual.

# Introduction

This chapter explains how to use this manual, lists what you need to get started, and briefly describes the CAN hardware and the NI-CAN software for Windows 95.

## How to Use This Manual



## What You Need to Get Started

---

Make sure you have all of the items listed before you attempt to install the hardware and software.

- Windows 95 installed on your computer
- One of the following CAN interfaces, which is included in your kit:
  - AT-CAN
  - AT-CAN/2
  - PCI-CAN
  - PCI-CAN/2
- The following 3.5 in., high density (1.44 MB) disks, which are included in your kit:
  - NI-CAN Software for Windows 95 (Disk 1)*
  - NI-CAN Software for Windows 95 (Disk 2)*
- CAN interface cables that meet the requirements in Appendix C, *Cabling Requirements*

## CAN Hardware Overview

---

The National Instruments CAN hardware includes the AT-CAN, AT-CAN/2, PCI-CAN, and PCI-CAN/2.

The AT-CAN and AT-CAN/2 are fully software configurable and compliant with the Plug and Play ISA standard. The AT-CAN and AT-CAN/2 allow any PC AT-compatible computer to communicate with and control CAN devices.

The PCI-CAN and PCI-CAN/2 are completely software configurable and compliant with the PCI Local Bus Specification. The PCI-CAN and PCI-CAN/2 allow any PC compatible computer with PCI Local Bus slots to communicate with and control CAN devices.

The AT-CAN and the PCI-CAN boards each have one CAN port. The AT-CAN/2 and the PCI-CAN/2 each have two CAN ports.

CAN interfacing is accomplished using the Intel 82527 CAN controller chip. The AT-CAN physical layer fully conforms to the ISO 11898

physical layer specification for CAN and is optically isolated to 500 V. The AT-CAN also meets the electrical requirements of DeviceNet by powering the CAN physical layer from the CAN bus. AT-CAN boards are available with two physical connector types: DB-9 D-Sub (for non-DeviceNet applications) and Combicon-style pluggable screw terminals (as required by the DeviceNet specification). The CAN hardware supports a wide variety of transfer rates up to 1 Mb/s.

All of the CAN hardware uses the Intel 386EX embedded processor to implement time-critical features provided by the NI-CAN software. The CAN hardware communicates with the NI-CAN driver through on-board shared memory and an interrupt.

## NI-CAN Software Overview

---

The NI-CAN software includes a native, 32-bit multitasking Windows 95 driver that is fully Plug and Play aware. The driver components are dynamically loaded when Windows 95 detects new CAN hardware, and dynamically unloaded when Windows 95 detects the removal of CAN hardware.

The NI-CAN software is fully integrated into the Windows 95 operating system. You can configure it through the Windows 95 Device Manager, and uninstall it through the Add/Remove Programs applet of the Control Panel.

With the NI-CAN software, you can use multiple types of CAN hardware concurrently. For example, you can communicate with CAN devices through both a PCI-CAN and AT-CAN in the same system at the same time.

The NI-CAN software, along with the CAN hardware, transforms your computer into a CAN interface with complete communications and bus management capability. The NI-CAN software includes the following components:

- Firmware (runs on embedded Intel 386EX)
- Device driver
- Diagnostic test utility
- Configuration utility



- Language interface libraries for Microsoft Visual C/C++ 2.0 or higher, LabWindows®/CVI 4.0 or higher, and LabVIEW 4.0 or higher
- Example programs that use NI-CAN functions

## Optional Programming Tools

---

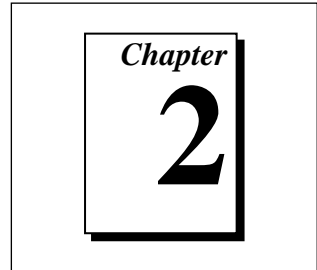
Your kit includes the NI-CAN software for Windows 95. In addition, you can order the LabWindows/CVI or LabVIEW software from National Instruments.

LabWindows/CVI is an interactive ANSI C development environment for building test and measurement and instrument control systems. It includes interactive code-generation tools and a graphical editor for building custom user interfaces. It also includes built-in libraries for IEEE 488.2, VXI, RS-232 control, and plug-in data acquisition. When you order LabWindows/CVI, you also get hundreds of complete instrument drivers, which are modular, source-code programs that handle the communication with your instrument so that you do not have to learn the programming details.

LabVIEW is a complete programming environment that departs from the sequential nature of traditional programming languages and features a graphical programming environment. It includes all the tools needed for instrument control, data acquisition, analysis, and presentation. LabVIEW also includes an extensive instrument driver library.

For more information about LabWindows/CVI and LabVIEW, contact National Instruments.

# Installation and Configuration



This chapter describes how to install and configure the CAN hardware and the NI-CAN software for Windows 95.

## Install the NI-CAN Software

Before installing the CAN hardware, complete the following steps to install the NI-CAN software for Windows 95.

1. Select **Start»Settings»Control Panel**.
2. Double-click on the **Add/Remove Programs** icon in the Control Panel to launch the Add/Remove Programs applet. A dialog box similar to the one in Figure 2-1 appears.



Figure 2-1. Add/Remove Programs Properties Dialog Box

You can use this same applet to uninstall the NI-CAN software at a later time. Refer to Appendix A, *Uninstalling the Hardware and Software*, for more information.

3. Click on the **Install...** button.
4. Insert the *NI-CAN Software for Windows 95 (Disk 1)*, and click on the **Next** button to proceed. The software installation wizard begins with the screen shown in Figure 2-2.

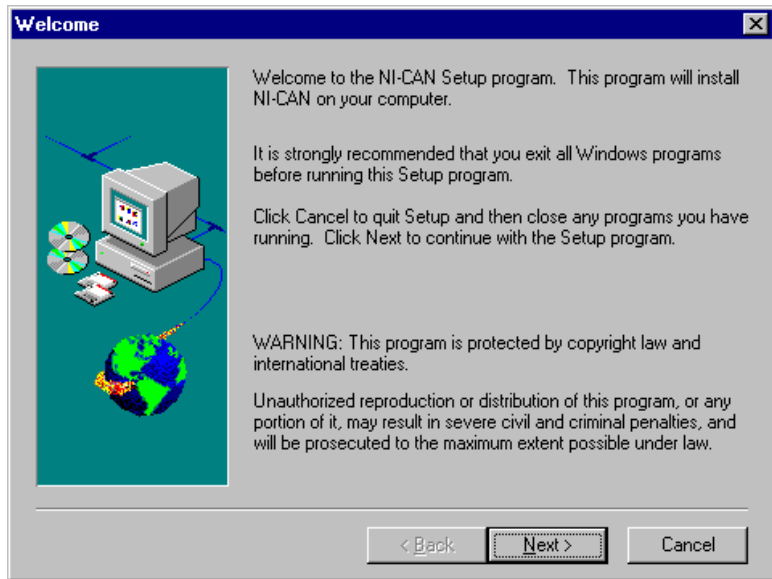


Figure 2-2. NI-CAN Software Setup Screen

The setup wizard guides you through the necessary steps to install the NI-CAN software. You may go back and change values where appropriate by choosing **Back**. You can exit the setup where appropriate by choosing **Cancel**.

5. Shut down your computer when the setup is complete.

# Install the CAN Hardware

---

This section describes how to install your CAN hardware.

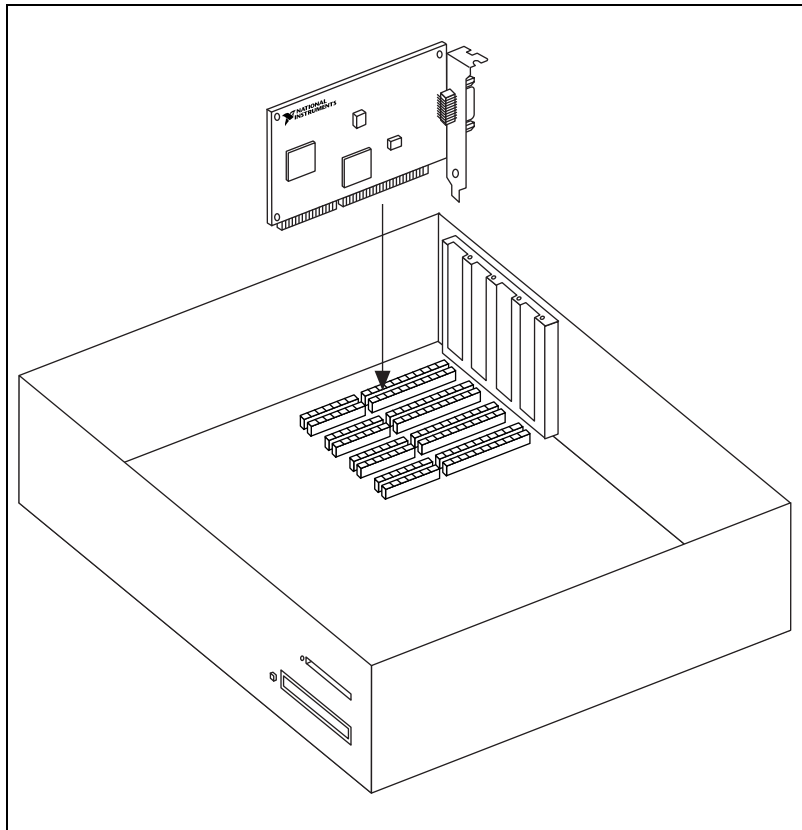
## Install Your CAN Interface



**Warning:**

*Electrostatic discharge can damage several components on these CAN interfaces. To avoid such damage in handling your interface, touch the antistatic plastic package to a metal part of your computer chassis before removing the interface from the package.*

1. Make sure that your computer is turned off. Keep the computer plugged in so that it remains grounded while you install the CAN interface.
2. Remove the top cover (or other access panels) to give yourself access to the computer expansion slots.
3. Find an unused expansion slot of the appropriate type in your computer.
4. Remove the corresponding slot cover on the back panel of the computer.
5. Insert the CAN interface into the slot with the CAN connector(s) sticking out of the opening on the back panel. It might be a tight fit, but do not force the interface into place. Figure 2-3 shows how to install the AT-CAN into a 16-bit ISA expansion slot.



**Figure 2-3.** Installing the AT-CAN

6. Screw the mounting bracket of the CAN interface to the back panel rail of the computer.
7. Replace the top cover (or the access panel to the expansion slot).
8. Turn on your computer and start Windows 95. Windows 95 should automatically detect the CAN hardware and associate it with the NI-CAN software. A **New Hardware Found** dialog box appears, then goes away on its own. If the dialog box does not go away, select **Windows default driver** and click the **OK** button.

If the **New Hardware Found** dialog box does not appear when you restart Windows 95, refer to Appendix B, *Forcing Windows 95 to Detect the CAN Hardware*.

## Connect the Cables

Because exact cabling requirements will vary for each application, National Instruments does not provide cables. Refer to Appendix C, *Cabling Requirements*, for information about the cabling requirements of the CAN hardware.

After you have installed the CAN interface as described in the previous section, connect your CAN cables to the interface. The CAN hardware installation is now complete. Proceed to the next section, *Configure the NI-CAN Software*.

## Configure the NI-CAN Software

---

The NI-CAN Configuration utility is fully integrated with the Windows 95 Device Manager. You can use it to examine or modify the configuration of the NI-CAN software. The context-sensitive online help, available by right-clicking on any of the controls on the configuration utility tabs, includes all of the information that you need to configure the NI-CAN software properly.

To configure the NI-CAN software, double-click on the **System** icon under **Start»Settings»Control Panel**. In the **System Properties** dialog box that appears, select the **Device Manager** tab, click the **View devices by type** radio button at the top of the tab, and double-click the **National Instruments CAN Interfaces** icon.

If there is no **National Instruments CAN Interfaces** item or if a circled X or exclamation point (!) appears through the eagle icon, the CAN interface is not working properly. Figure 2-4 shows an example of an AT-CAN/2 that is working properly, and Figure 2-5 shows an example of an AT-CAN/2 that is not working properly. Refer to the *Troubleshooting Device Manager Problems* section of Appendix C, *Troubleshooting and Common Questions*, to resolve the problem.

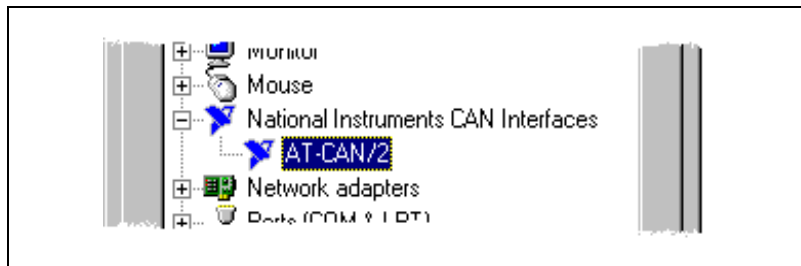


Figure 2-4. Device Manager Shows CAN Interface That Is Working Properly

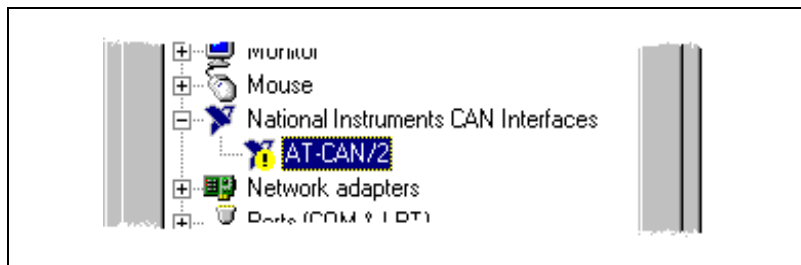
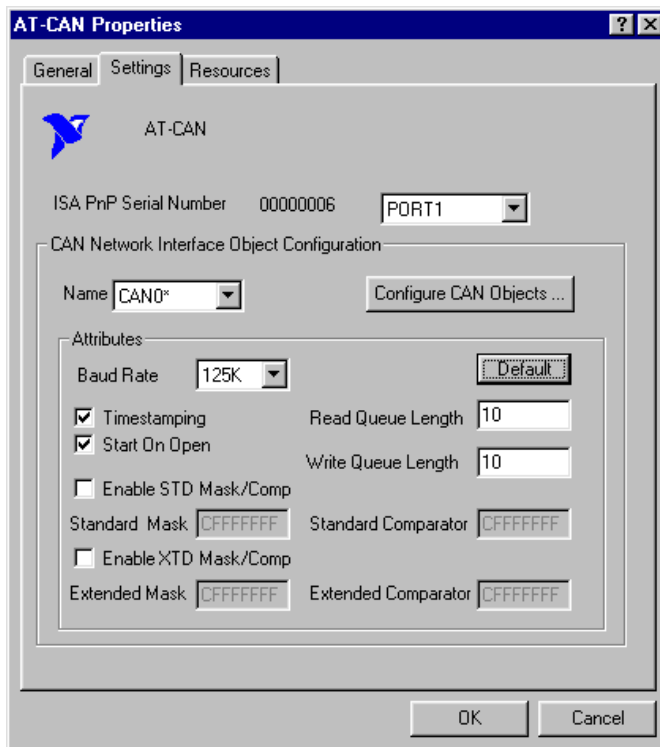


Figure 2-5. Device Manager Shows CAN Interface That Is Not Working Properly

To configure a particular interface, double-click on that interface in the list of installed interfaces below **National Instruments CAN Interfaces**.

The **Resources** tab provides information about the hardware resources assigned to the CAN interface. Use the **Resources** tab to examine the assigned resources to verify that there are no conflicts. The **Conflicting Device List**: lists any conflicts. If conflicts exist, uncheck the **Use automatic settings** checkbox and use the **Change Setting...** button to select conflict-free resources for the CAN hardware.

The **Settings** tab, shown in Figure 2-6, provides information about the NI-CAN software configuration for the CAN interface.



**Figure 2-6.** Settings Tab for the AT-CAN

Each port of the CAN hardware interface is configured from the same tab. Use the drop-down box nearest the top of the tab to select the physical port number to configure. For each port, use the **Name** drop-down box to select the name for the CAN Network Interface Object (CAN0, CAN1, and so on). You use this name to refer to the physical port from within your NI-CAN application.

To access online help for the NI-CAN Configuration utility, right-click the mouse anywhere on the **Settings** tab, and select **Full Help** from the pop-up menu that appears. Alternately, you can select **What's This?** from the pop-up menu to see context-sensitive help for the item you have clicked on.

When you have finished configuring the NI-CAN software, proceed to Chapter 3, *Verify the Installation*.



# Verify the Installation

This chapter describes how to verify the hardware and software installation.

You can use the NI-CAN Diagnostic utility, installed with your NI-CAN software, to test the hardware and software installation. The utility verifies that your hardware and software are functioning properly and that the configuration of your CAN interfaces does not conflict with anything else in your system.

To run the utility, select the **NI-CAN Diagnostic** item under **Start»Programs»NI-CAN Software for Windows 95**.

When you have started the NI-CAN Diagnostic utility, test your CAN interfaces by clicking on the **Test All** button. You can also test one CAN interface by highlighting it and clicking on the **Test One** button. If the NI-CAN Diagnostic is successful, it puts a checkmark next to the interface and changes its status from “Untested” to “Passed.” If the NI-CAN Diagnostic fails, it puts an X next to the interface, and changes its status from “Untested” to “Failed.” Figure 3-1 shows the NI-CAN Diagnostic utility after it has tested some CAN interfaces.

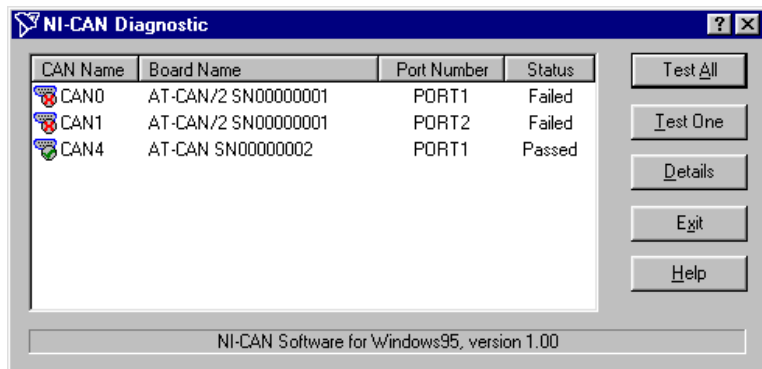
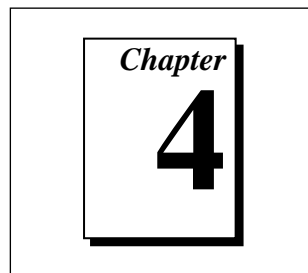


Figure 3-1. NI-CAN Diagnostic Utility after Testing

You can get details on any tested CAN interface by selecting the interface and clicking the **Details** button. For each failed CAN interface, select it and click the **Details** button to get a description of the failure. Use that information and the information in Appendix D, *Troubleshooting and Common Questions*, to troubleshoot the problem. Troubleshooting information is also available in the online help for the NI-CAN Diagnostic utility, which you can access by clicking on the **Help** button.

# Begin to Use the NI-CAN Software



---

This chapter helps you get started with the NI-CAN software for Windows 95.

## Using the NI-CAN Software

---

The functions provided by the NI-CAN software are similar to those provided by many other device drivers. For example, NI-CAN has open, close, read, and write functions. NI-CAN provides two different levels of access to a CAN network: the CAN Network Interface Object, and CAN Objects. Both forms of access support timestamping of incoming data, as well as various forms of queuing.

The CAN Network Interface Object provides low-level access to a CAN network. Each CAN Network Interface Object maps to a specific CAN port, with no limitation on the maximum number of ports or cards you can use (for example, two AT-CAN/2 interfaces would provide CAN0 through CAN3). You can use this object to transmit and receive entire CAN frames. For example, to transmit a CAN frame, you would specify the outgoing arbitration ID, frame type (data or remote), data length, and data.

The CAN Objects provide higher level access to a CAN network. Each CAN Object maps to a specific data item (arbitration ID), and you can use multiple CAN Objects for a given port. When configuring a CAN Object for use, you specify the arbitration ID, direction of data transfer, data length, and how you want the data to be accessed (such as periodically). For example, you could configure a CAN Object to transmit an outgoing data frame for a specific arbitration ID every 100 milliseconds. After opening this CAN Object, you use the write function to provide data to transmit, and the NI-CAN embedded firmware handles all periodic timing.

For detailed information on the NI-CAN software and functions, refer to the *NI-CAN User Manual for Windows 95 and Windows NT* and the *NI-CAN Programmer Reference Manual for Win32*.

## General Programming Considerations

---

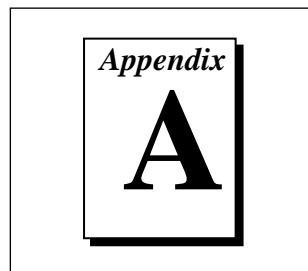
As you begin developing your Win32 NI-CAN application, remember the following points:

- For your LabVIEW application, you must use the NI-CAN LabVIEW functions in `nican.llb`.
- For your C/C++ application, you must include the NI-CAN header file, `nican.h`, in your source code.
- The NI-CAN software is accessed through the 32-bit DLL, `nican.dll`, either by linking with one of the language interfaces provided with the NI-CAN software, or by using direct DLL entry from other programming environments.
- Several sample CAN applications are included with the NI-CAN software. Use these as a guide for your own application development.

For information about developing your application, refer to the *NI-CAN User Manual for Windows 95 and Windows NT*. For detailed information about NI-CAN functions and objects, refer to the *NI-CAN Programmer Reference Manual for Win32*.

# Uninstalling the Hardware and Software

---



This appendix describes how to uninstall the CAN hardware and the NI-CAN software from Windows 95.

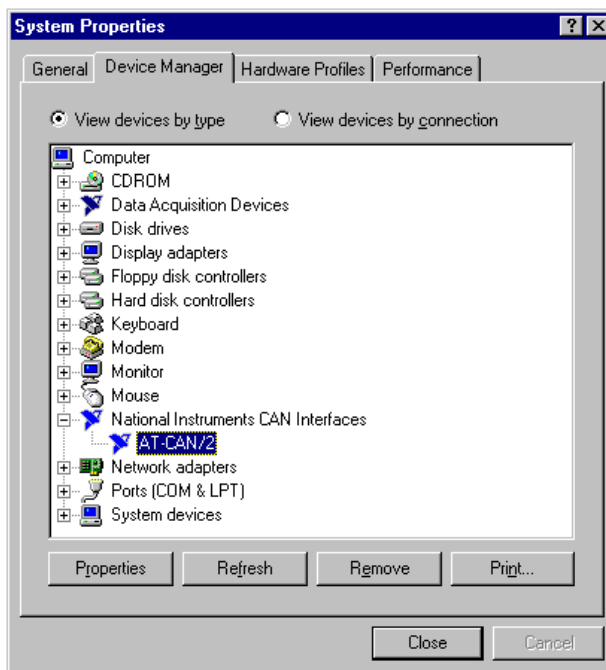
## Uninstalling the CAN Hardware from Windows 95

---

Before physically removing the CAN hardware from the computer, you must remove the hardware information from the Windows 95 Device Manager.

To remove the hardware information from Windows 95, double-click the **System** icon in the **Control Panel**, which can be opened from the **Settings** selection of the **Start** menu. Select the **Device Manager** tab in the **System Properties** dialog box that appears, click the **View devices by type** button at the top of the **Device Manager** tab, and double-click on the **National Instruments CAN Interfaces** icon.

To remove an interface, select it from the list of interfaces under **National Instruments CAN Interfaces** as shown in Figure A-1, and click the **Remove** button.



**Figure A-1.** Selecting an Interface to Remove from Windows 95

After you remove the appropriate CAN interface information from the Device Manager, you should shut down Windows 95, power off your computer, and physically remove the CAN interfaces from your computer.

## Uninstalling the NI-CAN Software from Windows 95

---

Before uninstalling the NI-CAN software, you should remove all CAN interface hardware from your computer, as explained in the previous section.

Complete the following steps to remove the NI-CAN software.

1. Run the **Add/Remove Programs** applet from the Control Panel. A dialog box similar to the one in Figure A-2 appears. This dialog box lists the software available for removal.

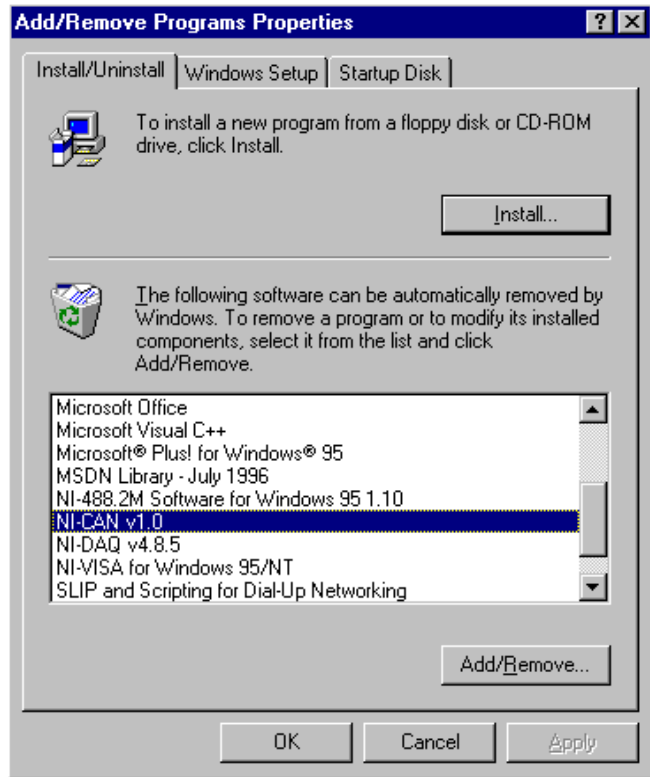


Figure A-2. Add/Remove Programs Properties Dialog Box

2. Select the NI-CAN software you want to remove, and click the **Add/Remove...** button. The uninstall program runs and removes all folders, utilities, device drivers, DLLs, and registry entries associated with the NI-CAN software. Figure A-3 shows the results of a successful uninstallation.

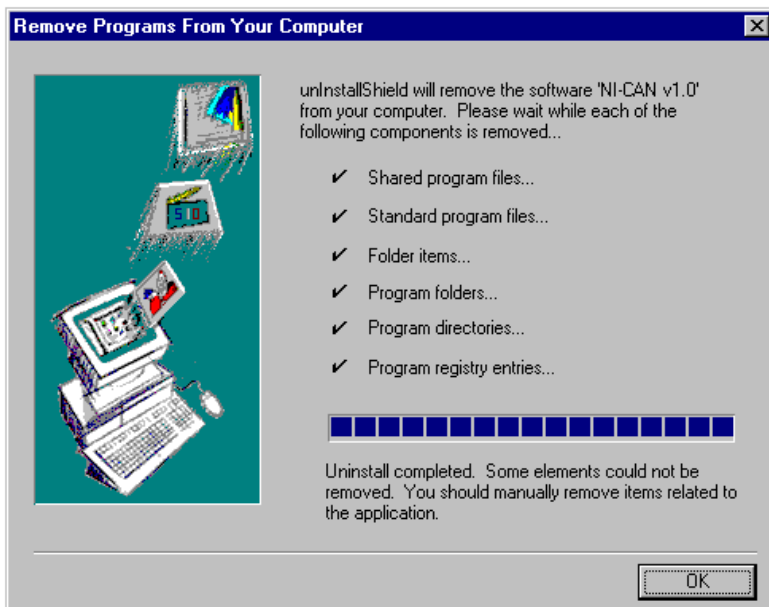


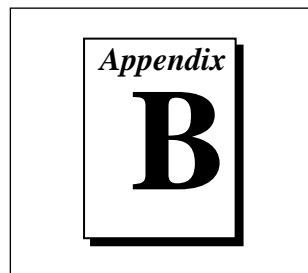
Figure A-3. NI-CAN Uninstallation Results

The uninstall program removes only items that the installation program installed. If you add anything to a directory that was created by the installation program, the uninstall program does not delete that directory, because the directory is not empty after the uninstallation. You will need to remove any remaining components yourself.

If you want to reinstall the hardware and software, refer to Chapter 2, *Installation and Configuration*.



# Forcing Windows 95 to Detect the CAN Hardware



This appendix contains instructions to help you install your CAN interface if Windows 95 has not detected it properly.

If Windows 95 does not detect your interface properly, it may not display the **New Hardware Found** dialog box when expected, and the NI-CAN Diagnostic utility reports no CAN interfaces present. This problem occurs if Windows 95 has already configured the CAN interface as an “other device.” To fix the problem, complete the following steps.

1. Select **Start»Settings»Control Panel**.
2. Double-click on the **System** icon to display the **System Properties** dialog box for the computer.
3. Click on the **Device Manager** tab at the top of the **System Properties** sheet to bring up the **Device Manager** property page. Make sure the **View devices by type** button at the top of the **Device Manager** page is selected.
4. Click on the + sign next to **Other Devices** to display a list of all the hardware devices that Windows 95 has detected and configured as **Other Devices**.
5. For each National Instruments CAN interface listed, select the interface by clicking on it, and then click on the **Remove** button to remove each interface from the list of **Other Devices**.
6. After you have removed all of the National Instruments CAN interfaces from the list of **Other Devices**, click on the **Refresh** button to force Windows 95 to detect each National Instruments CAN interface and to display a **New Hardware Found** dialog box for each one.
7. Proceed with the hardware installation, as described in Chapter 2, *Installation and Configuration*.

# Cabling Requirements

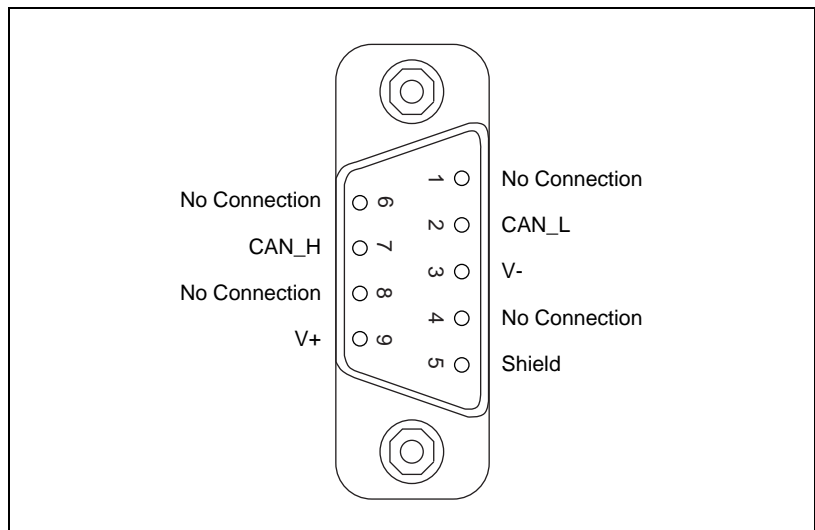
This appendix describes the cabling requirements for the CAN hardware.

Cables should be constructed to meet these requirements, as well as the requirements of the other CAN or DeviceNet devices in the network.

## Connector Pinouts

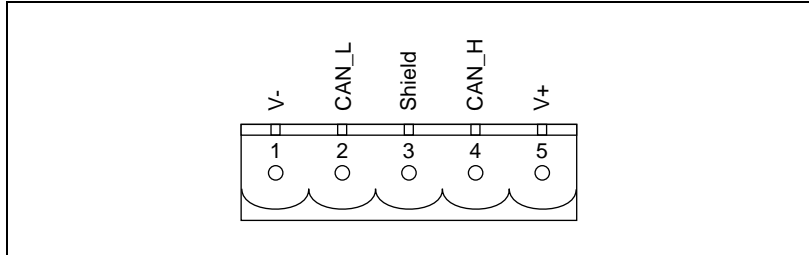
Depending on the type of CAN interface you are installing, it either has DB-9 D-Sub connectors(s), or Combicon-style pluggable screw terminal connector(s).

The 9-pin D-Sub follows the pinout recommended by CiA DS 102. Figure C-1 shows the pinout for this connector.



**Figure C-1.** Pinout for 9-Pin D-Sub Connector

The 5-pin Combicon-style pluggable screw terminal follows the pinout required by the DeviceNet specification. Figure C-2 shows the pinout for this connector.



**Figure C-2.** Pinout for 5-Pin Combicon-Style Pluggable Screw Terminal

CAN\_H and CAN\_L are signal lines that carry the data on the CAN network. These signals should be connected using twisted-pair cable.

V+ and V- supply power to the CAN physical layer. See the next section, *Power Supply Information for the CAN Ports*, for more information.

## Power Supply Information for the CAN Ports

The bus must supply power to each CAN port. The bus power supply should be a DC power supply with an output of 10 V to 30 V. The CAN physical layer is powered from the bus using the V+ and V- lines.

The power requirements for the CAN ports are shown in Table C-1. You should take these requirements into account when determining the requirements of the bus power supply for the system.

**Table C-1.** Power Requirements for the CAN Physical Layer

Characteristic	Specification
Voltage Requirement	V+ 10-30 VDC
Current Requirement	40 mA typical 100 mA maximum

## Cable Specifications

---

Cables should meet either the physical medium requirements specified in ISO 11898 shown in Table C-2 or the requirements of the DeviceNet cable specification.

Belden cable (3084A) meets these requirements, and should be suitable for most applications.

**Table C-2.** ISO 11898 Specifications for Characteristics of a CAN\_H and CAN\_L Pair of Wires

Characteristic	Value
Impedance	108 $\Omega$ minimum, 120 $\Omega$ nominal, 132 $\Omega$ maximum
Length-related resistance	70 m $\Omega$ /m nominal
Specific line delay	5 ns/m nominal

## Cable Lengths

---

The allowable cable length is affected by the characteristics of the cabling and the desired bit transmission rates. Detailed cable length recommendations can be found in the ISO 11898, CiA DS 102, and DeviceNet specifications.

ISO 11898 specifies 40 m total cable length with a maximum stub length of 0.3 m for a bit rate of 1 Mb/s. The ISO 11898 specification says that significantly longer cable lengths may be allowed at lower bit rates, but each node should be analyzed for signal integrity problems.

Table C-3 lists the DeviceNet cable length specifications.

**Table C-3.** DeviceNet Cable Length Specifications

Bit Rate	Thick Cable	Thin Cable
500 kb/s	500 m	100 m
250 kb/s	200 m	100 m
100 kb/s	100 m	100 m

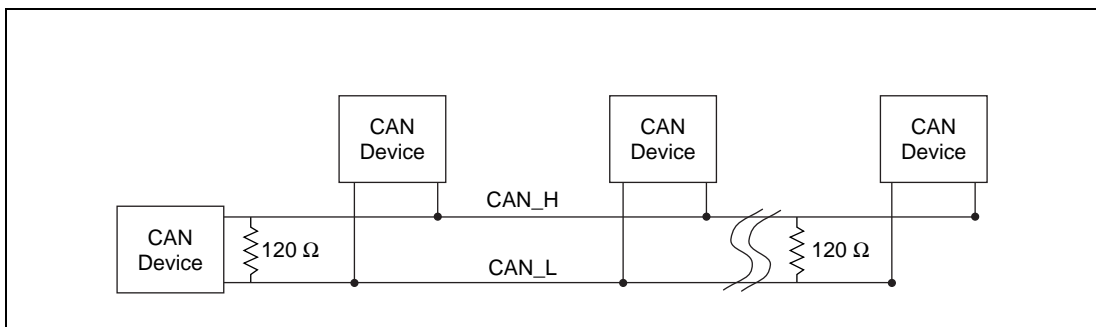
## Number of Devices

The number of devices depends on the electrical characteristics of the devices on the network. If all of the devices meet the requirements of ISO 11898, at least 30 devices may be connected to the bus. Higher numbers of devices may be connected if the electrical characteristics of the devices do not degrade signal quality below ISO 11898 signal level specifications. If all of the devices on the network meet the DeviceNet specifications, 64 devices may be connected to the network.

## Cable Termination

The pair of signal wires (CAN\_H and CAN\_L) constitutes a transmission line. If the transmission line is not terminated, each signal change on the line causes reflections that may cause communications failures.

Because communication flows both ways on the CAN bus, CAN requires that both ends of the cable be terminated. However, this requirement does not mean that every device should have a termination resistor. If multiple devices are placed along the cable, only the devices on the ends of the cable should have termination resistors. See Figure C-3 for an example of where termination resistors should be placed in a system with more than two devices.



**Figure C-3.** Termination Resistor Placement

The termination resistors on a cable should match the nominal impedance of the cable. ISO 11898 requires a cable with a nominal impedance of 120 Ω; therefore, a 120 Ω resistor should be used at each end of the cable. Each termination resistor should each be capable of dissipating 0.25 W of power.

# Cabling Example

Figure C-4 shows an example of a cable to connect two CAN devices.

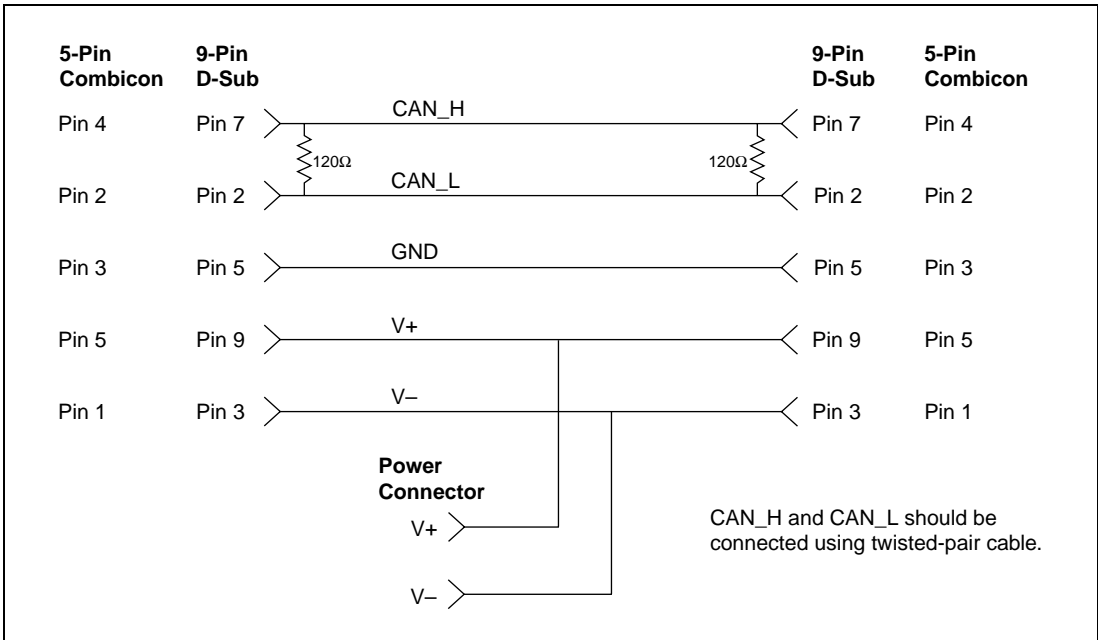
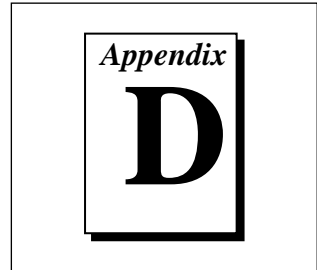


Figure C-4. Cabling Example

# Troubleshooting and Common Questions

---



This appendix describes how to troubleshoot problems and answers some common questions.

## Troubleshooting Device Manager Problems

---

The Windows 95 Device Manager contains configuration information for all of the CAN hardware it is aware of that is installed in your system. To start the Windows 95 Device Manager, double-click on the **System** icon under **Start»Settings»Control Panel**. In the **System Properties** box that appears, select the **Device Manager** tab and click the **View devices by type** radio button at the top of the tab.

If there is no **National Instruments CAN Interfaces** item and you are certain you have a CAN interface installed, refer to the *No National Instruments CAN Interfaces* section of this appendix.

If the **National Instruments CAN Interfaces** item exists, but the CAN interface you are looking for is not listed there, refer to the *Missing CAN Interface* section of this appendix.

If the CAN interface you are looking for is listed, but has a circled X or exclamation mark (!) over its icon, refer to the *Problem Shown in Device Manager* section of this appendix.

### No National Instruments CAN Interfaces

If you are certain you have a Plug and Play CAN interface installed, but no **National Instruments CAN Interfaces** item appears in the **Device Manager**, the interface is probably incorrectly listed under **Other Devices**. Double-click on the **Other Devices** item in the Device Manager and, one by one, remove each National Instruments CAN interface listed there by selecting its name and then clicking the **Remove** button. After

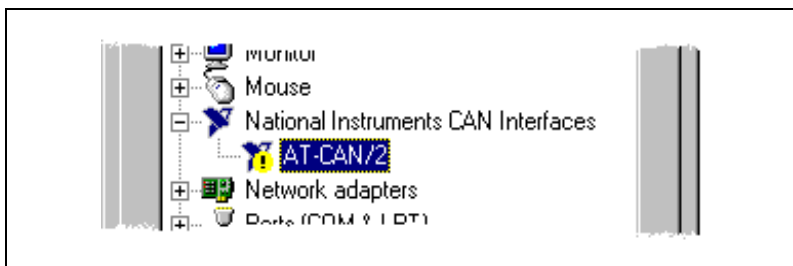
all of the National Instruments CAN interfaces have been removed from **Other Devices**, click the **Refresh** button. At this point, the system rescans the installed hardware, and the CAN interface should show up under **National Instruments CAN Interfaces** without any problems. If the problem persists, contact National Instruments.

## Missing CAN Interface

If the **National Instruments CAN Interfaces** item exists, but the CAN interface you are looking for is not listed there, the CAN interface is not properly installed. For National Instruments CAN hardware, this problem indicates that the interface is not physically present in the system.

## Problem Shown in Device Manager

If a CAN interface is not working properly, its icon has a circled X or exclamation mark (!) overlaid on it, as shown in Figure D-1.



**Figure D-1.** Device Manager Shows CAN Interface That Is Not Working Properly

This problem can occur for several reasons. If you encounter this problem, the Device Manager should list an error code that indicates why the problem occurred. To see the error code for a particular interface, select the name of the interface and click on the **Properties** button to go to the **General** tab for that CAN interface. The **Device Status** section of the **General** tab shows the error code. Locate the error code in the following list to find out why your CAN interface is not working properly.

- Code 8: The NI-CAN software was incompletely installed. To solve this problem, reinstall the NI-CAN software for Windows 95.
- Code 9: Windows 95 had a problem reading information from the CAN interface. Contact National Instruments for assistance.



- Code 12: The CAN interface was not assigned a physical memory range. If your computer does not have 8 KB of available memory, Windows 95 might configure your CAN interface without a physical memory assignment. The NI-CAN software for Windows 95 cannot function without 8 KB of physical memory. Another way to verify this problem is to look at the **Resource settings** list on the **Resources** tab to verify that the CAN interface was not assigned a Memory Range. To solve this problem, free up an 8 KB Memory Range (such as D0000 to D1FFF hex) that is being used by another device in the system.
- Code 15: The CAN interface was not assigned an Interrupt Request level. If your computer does not have any available Interrupt Request levels, Windows 95 might configure your CAN interface without an Interrupt Request level. The NI-CAN software for Windows 95 cannot function without an Interrupt Request level. Another way to verify this problem is to look at the **Resource settings** list on the **Resources** tab to verify that the CAN interface was not assigned an Interrupt Request level. To solve this problem, free up an Interrupt Request level that is being used by another device in the system.
- Code 22: The CAN interface is disabled. To enable the CAN interface, check the appropriate configuration checkbox in the **Device Usage** section of the **General** tab.
- Code 24: The CAN interface is not present, or the Device Manager is unaware that the CAN interface is present. To solve this problem, select the interface in the Device Manager, and click on the **Remove** button. Next, click the **Refresh** button. At this point, the system rescans the installed hardware, and the CAN interface should show up without any problems. If the problem persists, contact National Instruments.
- Code 27: Windows 95 was unable to assign the CAN interface any resources. To solve this problem, free up system resources by disabling other unnecessary hardware so that enough resources are available for the CAN interface. The resources required for a single CAN interface are an Interrupt Request level and an 8 KB physical memory range (such as D0000 to D1FFF hex).

## Troubleshooting Diagnostic Utility Failures

---

The following sections explain common error messages generated by the NI-CAN Diagnostic utility.

### Memory Resource Conflict

This error occurs if the memory resource assigned to a CAN interface conflicts with the memory resources being used by other devices in the system. Resource conflicts typically occur when your system contains legacy boards that use resources that have not been reserved properly with the Device Manager. If a resource conflict exists, write down the memory resource that caused the conflict and refer to the *Microsoft Windows 95 User's Guide* for instructions on how to use the Device Manager to reserve memory resources for legacy boards. After the conflict has been resolved, run the NI-CAN Diagnostic utility again.

### Interrupt Resource Conflict

This error occurs if the interrupt resource assigned to a CAN interface conflicts with the interrupt resources being used by other devices in the system. Resource conflicts typically occur when your system contains legacy boards that use resources that have not been reserved properly with the Device Manager. If a resource conflict exists, write down the interrupt resource that caused the conflict and refer to the *Microsoft Windows 95 User's Guide* for instructions on how to use the Device Manager to reserve interrupt resources for legacy boards. After the conflict has been resolved, run the NI-CAN Diagnostic utility again.

### NI-CAN Software Problem Encountered

This error occurs if the NI-CAN Diagnostic utility detects that it is unable to communicate correctly with the CAN hardware using the installed NI-CAN software. If you get this error, shut down your computer, restart it, and run the NI-CAN Diagnostic utility again. If the problem persists, try reinstalling the NI-CAN software for Windows 95.

### Missing CAN Interface

If a National Instruments CAN interface is physically installed in your system, but is not listed in the NI-CAN Diagnostic utility, check the

Windows 95 Device Manager to see if Windows 95 has detected the hardware. For more information, refer to the *Troubleshooting Windows 95 Device Manager Problems* section, earlier in this appendix.

## CAN Hardware Problem Encountered

This error occurs if the NI-CAN Diagnostic utility detects a defect in the CAN hardware. If you get this error, write down the numeric code shown with the error, and contact National Instruments. Depending on the cause of the hardware failure, National Instruments may need to upgrade your CAN interface.

## Common Questions

---

### **What do I do if my CAN hardware is listed in the Windows 95 Device Manager with a circled X or exclamation point (!) overlaid on it?**

Refer to the *Problem Shown in Device Manager* section of this appendix for specific information about what might cause this problem. If you have already completed the troubleshooting steps, fill out the forms in Appendix F, *Customer Communication*, and contact National Instruments.

### **How can I determine which type of CAN hardware I have installed?**

Run the NI-CAN Configuration utility. To run the utility, select **Start»Settings»Control Panel»System**. Select the **Device Manager** tab in the **System Properties** dialog box. Click on the **View devices by type** radio button at the top of the sheet. If any CAN hardware is correctly installed, a **National Instruments CAN Interfaces** icon appears in the list of device types. Double-click this icon to see a list of installed CAN hardware.

### **How can I determine which version of the NI-CAN software I have installed?**

Run the NI-CAN Diagnostic utility. To run the utility, select the **Diagnostic** item under **Start»Programs»NI-CAN Software for Windows 95**. The NI-CAN Diagnostic utility displays information about the version of the NI-CAN software currently installed.

**Which CAN interfaces does the NI-CAN software for Windows 95 support?**

The NI-CAN software for Windows 95 supports the AT-CAN, AT-CAN/2, PCI-CAN, and PCI-CAN/2.

**What do I do if the NI-CAN Diagnostic utility fails with an error?**

Refer to the *Troubleshooting Diagnostic Utility Failures* section of this appendix for specific information about what might cause the NI-CAN Diagnostic utility to fail. If you have already completed the troubleshooting steps, fill out the forms in Appendix F, *Customer Communication*, and contact National Instruments.

**How many CAN interfaces can I configure for use with my NI-CAN software for Windows 95?**

The NI-CAN software for Windows 95 can be configured to communicate with up to 10 CAN interfaces.

**Are interrupts required for the NI-CAN software for Windows 95?**

Yes, one interrupt per interface is required.

**How do I use an NI-CAN language interface?**

For information about using NI-CAN language interfaces, refer to Chapter 3, *Developing Your Application*, in the *NI-CAN User Manual for Windows 95 and Windows NT*.

**How do I use NI-CAN from within LabVIEW?**

For information about using NI-CAN from within LabVIEW, refer to Chapter 3, *Developing Your Application*, in the *NI-CAN User Manual for Windows 95 and Windows NT*.

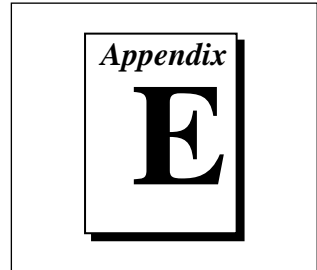
**Why does the uninstall program leave some components installed?**

The uninstall program removes only items that the installation program installed. If you add anything to a directory that was created by the installation program, the uninstall program does not delete that directory, because the directory is not empty after the uninstallation. You will need to remove any remaining components yourself.

**What information should I have before I call National Instruments?**

When you call National Instruments, you should have all of the information filled out on the *Hardware and Software Configuration Form* in Appendix F, *Customer Communication*.

# Specifications



This appendix describes the physical characteristics of the CAN hardware, along with the recommended operating conditions.

**Table E-1.** AT-CAN and AT-CAN/2 Hardware Characteristics

<b>Characteristic</b>	<b>Specification</b>
Dimensions	10.67 by 16.51 cm (4.2 by 6.5 in.)
Power Requirement (from PC AT I/O channel)	+5 VDC 500 mA typical
I/O Connector	9-pin D-Sub for each port (standard) or 5-pin Combicon-style pluggable DeviceNet screw terminal
Operating Environment Component Temperature Relative Humidity	0° to 55° C 10% to 90%, noncondensing
Storage Environment Temperature Relative Humidity	-20° to 70° C 5% to 90%, noncondensing

**Table E-2.** PCI-CAN and PCI-CAN/2 Hardware Characteristics

<b>Characteristic</b>	<b>Specification</b>
Dimensions	10.67 by 17.46 cm (4.2 by 6.88 in.)
Power Requirement (from PCI Bus)	+5 VDC 775 mA typical
I/O Connector	9-pin D-Sub for each port (standard) or 5-pin Combicon-style pluggable DeviceNet screw terminal
Operating Environment Ambient Temperature Relative Humidity	0° to 55° C 10% to 90%, noncondensing
Storage Environment Temperature Relative Humidity	-20° to 70° C 5% to 90%, noncondensing

**Table E-3.** CAN Port Characteristics

<b>Characteristic</b>	<b>Specification</b>
Power Requirement	10-30 V 40 mA typical 100 mA maximum
Isolation	500 VDC optical

# Customer Communication

---

For your convenience, this appendix contains forms to help you gather the information necessary to help us solve technical problems you might have as well as a form you can use to comment on the product documentation. Filling out a copy of the *Technical Support Form* before contacting National Instruments helps us help you better and faster.

National Instruments provides comprehensive technical assistance around the world. In the U.S. and Canada, applications engineers are available Monday through Friday from 8:00 a.m. to 6:00 p.m. (central time). In other countries, contact the nearest branch office. You may fax questions to us at any time.

## Electronic Services



### Bulletin Board Support

National Instruments has BBS and FTP sites dedicated for 24-hour support with a collection of files and documents to answer most common customer questions. From these sites, you can also download the latest instrument drivers, updates, and example programs. For recorded instructions on how to use the bulletin board and FTP services and for BBS automated information, call (512) 795-6990. You can access these services at:

United States: (512) 794-5422

Up to 14,400 baud, 8 data bits, 1 stop bit, no parity

United Kingdom: 01635 551422

Up to 9,600 baud, 8 data bits, 1 stop bit, no parity

France: 01 48 65 15 59

Up to 9,600 baud, 8 data bits, 1 stop bit, no parity



### FTP Support

To access our FTP site, log on to our Internet host, `ftp.natinst.com`, as anonymous and use your Internet address, such as `joesmith@anywhere.com`, as your password. The support files and documents are located in the `/support` directories.





## Fax-on-Demand Support

Fax-on-Demand is a 24-hour information retrieval system containing a library of documents on a wide range of technical information. You can access Fax-on-Demand from a touch-tone telephone at (512) 418-1111.



## E-Mail Support (currently U.S. only)

You can submit technical support questions to the applications engineering team through e-mail at the Internet address listed below. Remember to include your name, address, and phone number so we can contact you with solutions and suggestions.

[support@natinst.com](mailto:support@natinst.com)

## Telephone and Fax Support

National Instruments has branch offices all over the world. Use the list below to find the technical support number for your country. If there is no National Instruments office in your country, contact the source from which you purchased your software to obtain support.



### Telephone



### Fax

Australia	03 9879 5166	03 9879 6277
Austria	0662 45 79 90 0	0662 45 79 90 19
Belgium	02 757 00 20	02 757 03 11
Canada (Ontario)	905 785 0085	905 785 0086
Canada (Quebec)	514 694 8521	514 694 4399
Denmark	45 76 26 00	45 76 26 02
Finland	09 527 2321	09 502 2930
France	01 48 14 24 24	01 48 14 24 14
Germany	089 741 31 30	089 714 60 35
Hong Kong	2645 3186	2686 8505
Israel	03 5734815	03 5734816
Italy	02 413091	02 41309215
Japan	03 5472 2970	03 5472 2977
Korea	02 596 7456	02 596 7455
Mexico	5 520 2635	5 520 3282
Netherlands	0348 433466	0348 430673
Norway	32 84 84 00	32 84 86 00
Singapore	2265886	2265887
Spain	91 640 0085	91 640 0533
Sweden	08 730 49 70	08 730 43 70
Switzerland	056 200 51 51	056 200 51 55
Taiwan	02 377 1200	02 737 4644
U.K.	01635 523545	01635 523154

# Technical Support Form

Photocopy this form and update it each time you make changes to your software or hardware, and use the completed copy of this form as a reference for your current configuration. Completing this form accurately before contacting National Instruments for technical support helps our applications engineers answer your questions more efficiently.

If you are using any National Instruments hardware or software products related to this problem, include the configuration forms from their user manuals. Include additional pages if necessary.

Name \_\_\_\_\_

Title \_\_\_\_\_

Company \_\_\_\_\_

Address \_\_\_\_\_

\_\_\_\_\_

Fax ( \_\_\_\_ ) \_\_\_\_\_ Phone ( \_\_\_\_ ) \_\_\_\_\_

Computer brand \_\_\_\_\_ Model \_\_\_\_\_ Processor \_\_\_\_\_

Operating system (include version number) \_\_\_\_\_

Clock Speed \_\_\_\_\_ MHz RAM \_\_\_\_\_ MB Display adapter \_\_\_\_\_

Mouse \_\_\_\_\_ yes \_\_\_\_\_ no Other adapters installed \_\_\_\_\_

Hard disk capacity \_\_\_\_\_ MB Brand \_\_\_\_\_

Instruments used \_\_\_\_\_

National Instruments hardware product model \_\_\_\_\_ Revision \_\_\_\_\_

Configuration \_\_\_\_\_

National Instruments software product \_\_\_\_\_ Version \_\_\_\_\_

Configuration \_\_\_\_\_

The problem is \_\_\_\_\_

\_\_\_\_\_

\_\_\_\_\_

\_\_\_\_\_

List any error messages \_\_\_\_\_

\_\_\_\_\_

\_\_\_\_\_

The following steps will reproduce the problem \_\_\_\_\_

\_\_\_\_\_

\_\_\_\_\_

# Hardware and Software Configuration Form

Record the settings and revisions of your hardware and software on the line to the right of each item. Complete a new copy of this form each time you revise your software or hardware configuration, and use this form as a reference for your current configuration. Completing this form accurately before contacting National Instruments for technical support helps our applications engineers answer your questions more efficiently.

## National Instruments Products

### General Information

CAN Interface Type (such as AT-CAN/2) \_\_\_\_\_

NI-CAN Diagnostic Utility Results \_\_\_\_\_

### Version Information

To access complete version information, including the hardware version and the NI-CAN driver version, open the **MS-DOS Prompt** and change to the NI-CAN installation directory (usually `c:\nican`). At the prompt, enter the following command:

```
canddiag -v
```

NI-CAN Diagnostic Version Information \_\_\_\_\_

## Other Products

### Resource Summary Report from the Device Manager

To create this report, first display the **System Properties** dialog box for the computer by double-clicking on the **System** icon under **Start»Settings»Control Panel**. Then click on the **Device Manager** tab and highlight the **Computer** icon. Click on the **Print** button, and check the **Print to file** checkbox in the **Print** dialog box before clicking on **OK**.

### Programming Environment Information

Programming Language \_\_\_\_\_

Compiler Vendor \_\_\_\_\_ Compiler Version \_\_\_\_\_

### Application Information

LabVIEW Application \_\_\_\_\_ Win32 Application \_\_\_\_\_

If Win32, method of accessing DLL (link with language interface or direct entry?)

# Documentation Comment Form

National Instruments encourages you to comment on the documentation supplied with our products. This information helps us provide quality products to meet your needs.

**Title:** *Getting Started with Your CAN Hardware and the NI-CAN™ Software for Windows 95*

**Edition Date:** November 1996

**Part Number:** 321371A-01

Please comment on the completeness, clarity, and organization of the manual.

---

---

---

---

---

---

---

---

If you find errors in the manual, please record the page numbers and describe the errors.

---

---

---

---

---

---

---

---

Thank you for your help.

Name \_\_\_\_\_

Title \_\_\_\_\_

Company \_\_\_\_\_

Address \_\_\_\_\_

---

Phone ( \_\_\_\_\_ ) \_\_\_\_\_

**Mail to:** Technical Publications  
National Instruments Corporation  
6504 Bridge Point Parkway  
Austin, TX 78730-5039

**Fax to:** Technical Publications  
National Instruments Corporation  
(512) 794-5678

A graphic of a book with the word "Glossary" written on its cover, enclosed in a rectangular frame.

## Glossary

---

Prefix	Meaning	Value
n-	nano-	$10^{-9}$
m-	milli-	$10^{-3}$
c-	centi-	$10^{-2}$
k-	kilo-	$10^3$
M-	mega-	$10^6$

°	degrees
Ω	ohms
%	percent
A	amperes
AC	alternating current
b	bits
C	Celsius
CAN	Controller Area Network
CiA	CAN in Automation
DLL	dynamic link library
DMA	direct memory access

## *Glossary*

EMI	electromagnetic interference
FCC	Federal Communications Commission
Hz	hertz
in.	inches
IRQ	interrupt request
ISA	Industry Standard Architecture
ISO	International Standards Organization
KB	kilobytes of memory
m	meters
MB	megabytes of memory
PC	personal computer
PCI	peripheral component interconnect
PnP	Plug and Play
RAM	random-access memory
resource	hardware settings used by National Instruments CAN hardware, including an interrupt request level (IRQ) and an 8 KB physical memory range (such as D0000 to D1FFF hex)
s	seconds
V	volts
VDC	volts direct current
W	watts